

# RF SERIES

## RF1217

1 TWIN CHANGE-OVER CONTACT, 5 FASTON, SPDT.

### TYPE

RF1217 ... V  
Interface Relay for low level  
1 CO

### MAX. CONTACT LOAD

6 A / 250 V	AC1	0,5 A / 110 V	DC1
6 A / 30 V	DC1	0,2 A / 220 V	DC1

### CONTACT

Material	Standard	AgNi + 3 $\mu$ Au
	Optional	AgNi + 10 $\mu$ Au

Rated current / Max. peak current	6 A / 15 A
Rated voltage / Max. switching voltage AC-1	250 V / 400 V
Rated load AC15 (250 V)	350 VA
Min. switching load	5 V / 5 mA (standard contact) 5 V / 1 mA (with 10 $\mu$ Au)

### COIL

Operation range	$\leq 0,8 \times U_N - 1,1 \times U_N$
Rated power (AC/DC)	1,1 VA / 0,7 W
Release voltage	$\geq 0,1 \times U_N$
Coil resistance	$\pm 10\%$

Coil data

VAC	$\Omega$	mA	VDC	$\Omega$	mA
24	290	45	12	224	53
48	1200	23	24	742	32
115	7.300	9,5	48	3.500	13,7
230	28.800	4,7	110	19.900	5,5

### INSULATION (Vrms, 1 min)

Contact open	1 kV
Coil / Contacts	5 kV
Insulation IEC 61810-1	4 kV/3
Between contacts	

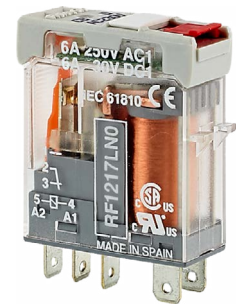
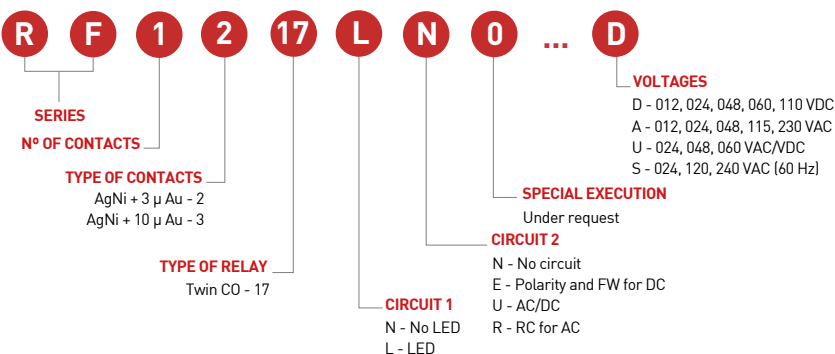
### SPECIFICATIONS

Ambient temperature	- 40 °C ... + 80 °C
Operation / Release time	10 ms / 5 ms
Protection category	IP40
Electrical life DC / Mechanical life	1 · 10 <sup>5</sup> op / 10 · 10 <sup>6</sup> op (AC) 20 · 10 <sup>6</sup> op (DC)
Weight	21 g

### ACCESSORIES

Sockets SFB10D, SFR10D, SFP10X

### ORDERING CODE



### CONNECTION DIAGRAM

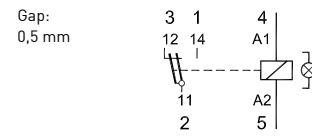


FIG. 1 ELECTRICAL LIFE AC LOAD

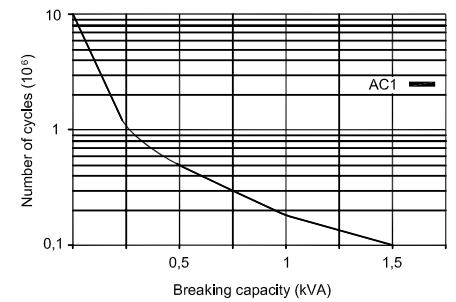
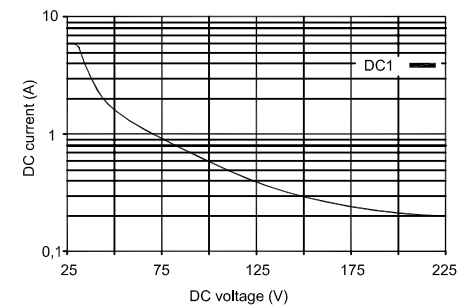
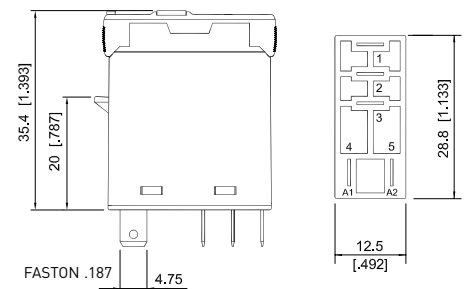


FIG. 2 MAX. DC BREAKING CAPACITY



### DIMENSIONS mm [inch]



### TECHNICAL APPROVALS



IEC 61810; EN 60947