

SM SERIES

SMB30D

3 POLES, DIN RAIL



TYPE

SMB30D
Socket for 3-pole RM relay

SPECIFICATIONS

| | |
|----------------------------------|--|
| Rated load | 10 A / 300 V |
| Insulation | 2,5 kV (Test voltage V rms 1 min) |
| - Coil / Contacts | |
| - All terminals DIN rail | |
| Cross-section of connecting wire | |
| - Single-wire | 4 mm ² or 2 x 2,5 mm ² |
| - Multi-wire | 22 - 14 AWG |
| Max. screw torque | 1,2 Nm |
| Mounting | DIN rail TS35 or panel mounting |
| Ambient temperature | - 40 °C ... + 80 °C |
| Weight | 55 g |

SOCKET FOR PLUG-IN RELAYS

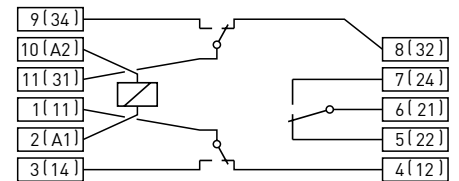
RM3010, RM3014, RM3117, RM1015,
RM1016, RM2019

ACCESSORIES

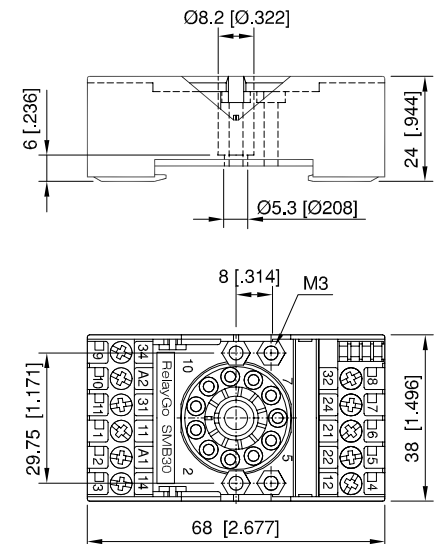
Retaining spring, steel AC30N, Timer series TM - AC31N
Integrated retaining plastic clip



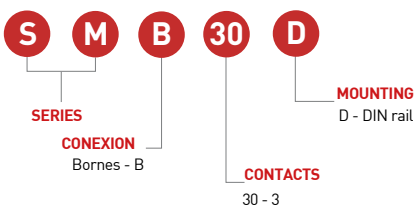
CONNECTION DIAGRAM



DIMENSIONS mm [inch]



ORDERING CODE



TECHNICAL APPROVALS



IEC 61810; EN 60947