

SM SERIES

SMB20D

2 POLES, DIN RAIL



TYPE

SMB20D
Socket for 2-pole RM relay

SPECIFICATIONS

| | |
|----------------------------------|--|
| Rated load | 10 A / 300 V |
| Insulation | 2,5 kV (Test voltage V rms 1 min) |
| - Coil / Contacts | |
| - All terminals DIN rail | |
| Cross-section of connecting wire | |
| - Single-wire | 4 mm ² or 2 x 2,5 mm ² |
| - Multi-wire | 22 - 14 AWG |
| Max. screw torque | 1,2 Nm |
| Mounting | DIN rail TS35 or panel mounting |
| Ambient temperature | - 40 °C ... + 80 °C |
| Weight | 48 g |

SOCKET FOR PLUG-IN RELAYS

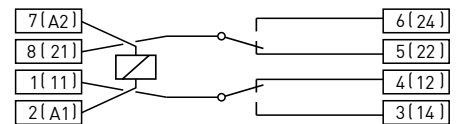
RM2010, RM2014, RM2117

ACCESSORIES

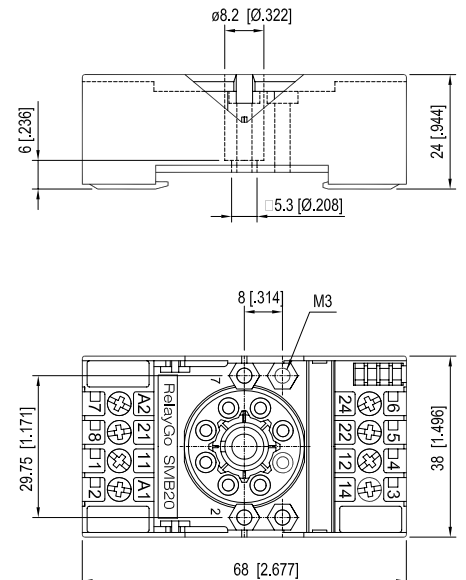
| | |
|-----------------------------------|--------------------------------|
| Retaining spring, steel | AC30N, Timer series TM - AC31N |
| Integrated retaining plastic clip | |



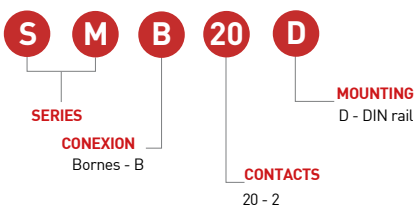
CONNECTION DIAGRAM



DIMENSIONS mm [inch]



ORDERING CODE



TECHNICAL APPROVALS



IEC 61810; EN 60947