

SF SERIES

SFR10D

1 POLE, DIN RAIL

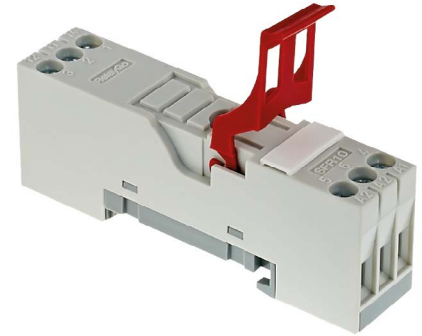


TYPE

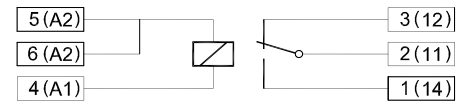
SFR10D
Socket for 1-pole RF and RS relays

SPECIFICATIONS

Rated load	16 A / 250 V
Insulation	Test voltage V rms 1 min
- Coil / Contacts	5 kV
- All terminals DIN rail	5 kV
Cross-section of connecting wire	
- Single-wire	4 mm ² or 2 x 2,5 mm ²
- Multi-wire	22 - 14 AWG
Max. screw torque	1.2 Nm
Mounting	DIN rail TS35 or mounting panel
Ambient temperature	- 40 ... + 80 °C
Weight	25 g



CONNECTION DIAGRAM



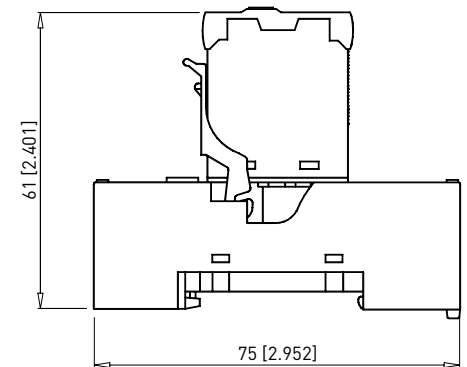
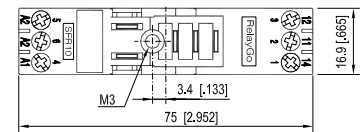
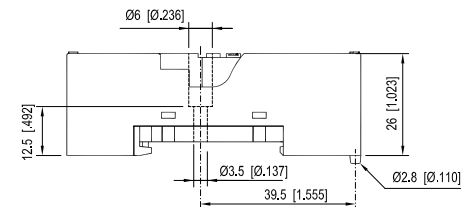
SOCKET FOR PLUG-IN RELAYS

RF1010, RF1014, RF1410, RF1217,
RF1222, RS1614, RS1714, RS1814, RS1914

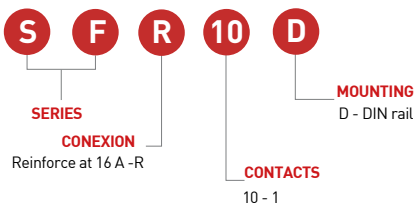
ACCESSORIES

Coil/ Contact bridge bar available	BF24, BF21 / BF34, BF31
Integrated retaining plastic clip	
Labelling space	

DIMENSIONS mm [inch]



ORDERING CODE



TECHNICAL APPROVALS



IEC 61810; EN 60947