

TYPE 'T-C' HIGH VOLTAGE HRC FUSE LINKS

1.2kV and 1.5kV

For Industrial and General Applications

Complying with BS2692 and BS88



Current and voltage ratings

Fuse type	Rating Amp	AC Voltage rating	DC Voltage rating
TAC	2. 4. 6. 10. 16. 20. 25. 32	1200	Certified to 660 also tested to 750
TSC	35. 50. 63		
TFC	80. 100. 125. 160. 200. 250*. 315*. 355*	1500	
TLC	400		
A04TLC	400. 450. 500. 560. 630. 750*		

To establish list number for ordering purposes combine fuse type with current rating, i.e. TAC 32

* these ratings are obtained by connecting single body fuse links in parallel as follows:

Rating Amp	Connect in Parallel
250	2 x 125A
315	2 x 160A
355	2 x 200A
750	2 x 400A

AC short-circuit performance

The range has been tested to BS2692 as follows:

TAC & TSC	63kA 1200V
TFC, TLC & A04TLC	63kA 1500V

DC short-circuit performance

The range is certified to BS88:Part 1 for voltage rating of 660V DC and in addition has been tested to a minimum of 750V DC.

I²t and Cut-Off data available on request.

Characteristics

The time current characteristics shown on Page 4/4 relate to mean pre-arcing times and are accurate to within a manufacturing tolerance of ± 10% related to current.

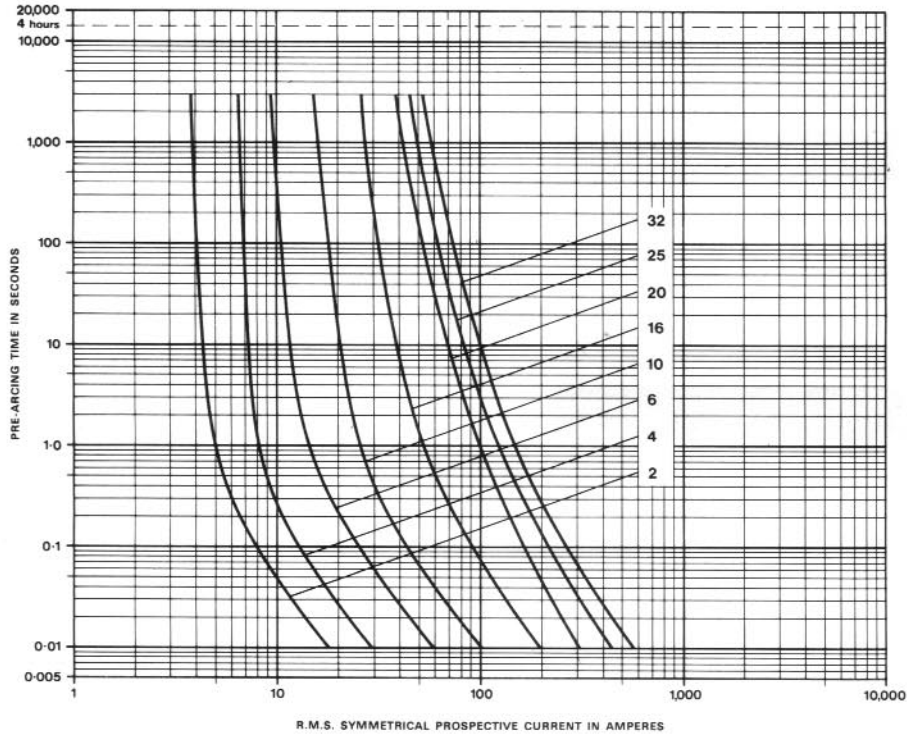
TC equivalents

Current List number	Superseded List number	Comments	
TAC 2	TAC 2	Current TAC/TSC ranges provide equivalent fixing centres with closed end tags. If, however, open end versions are required, order as A05 TAC or A05 TSC.	
TAC 4	TAC 4		
TAC 6	TAC 6		
TAC 10	TAC 10		
TAC 16	TAC 15		
TAC 20	TAC 20		
TAC 25	TAC 25		
TAC 32	TAC 30		
TSC 35	TSC 35		
TSC 50	TSC 50		
TSC 63	TSC 60		
TFC 80	TMC 80		The TFC range has a longer thinner body than the superseded TMC type. If identical fixing centres are required, order as A06 TFC.
TFC 100	TMC 100		
TFC 125	TMC 125		
TFC 160	TMC 160		
TFC 200	TLC 200	For identical fixing centres as TLC type. Order as A11 TFC for tags with closed slots or A10 TFC for type with open slots.	
2 × TFC 125 (in parallel)	TLC 250		
2 × TFC 160 (in parallel)	TLC 300		
2 × TFC 200 (in parallel)	TLC 350	Single body A04 TLC range now replaces superseded 787 TLC range. For 750 Amps 2 fuses must be used in parallel.	
A04 TLC 400	787 TLC 400		
A04 TLC 500	787 TLC 500		
A04 TLC 560	787 TLC 560		
A04 TLC 630	787 TLC 630		
2 × A04 TLC 400 (in parallel)	787 TLC 750		

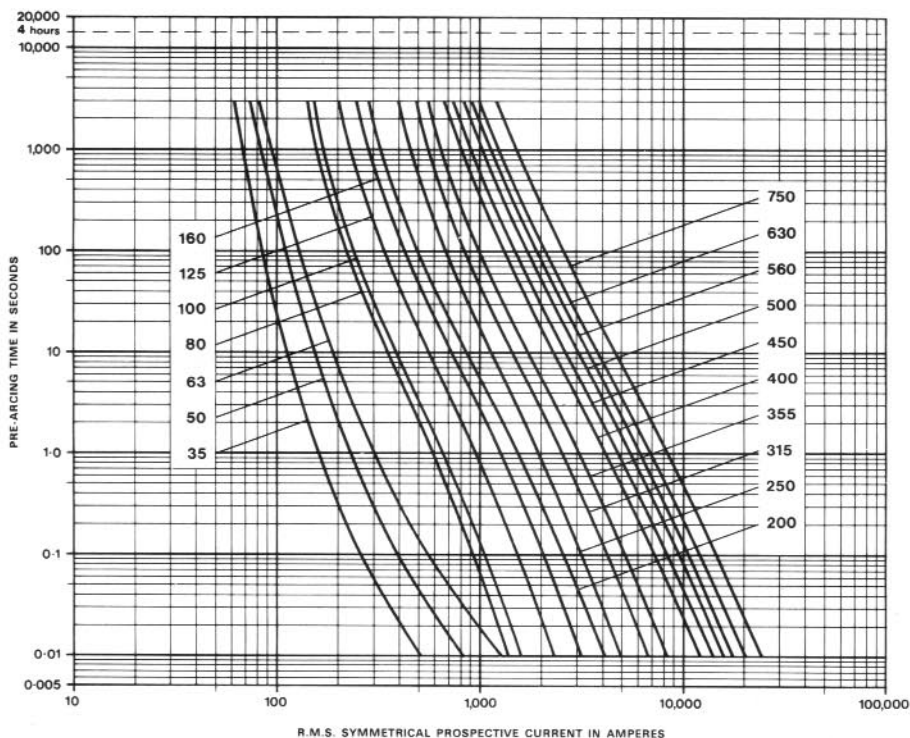
Characteristics

Type 'T-C' HRC Fuse Links

Type TAC Time Current Characteristics 2-32 Amp



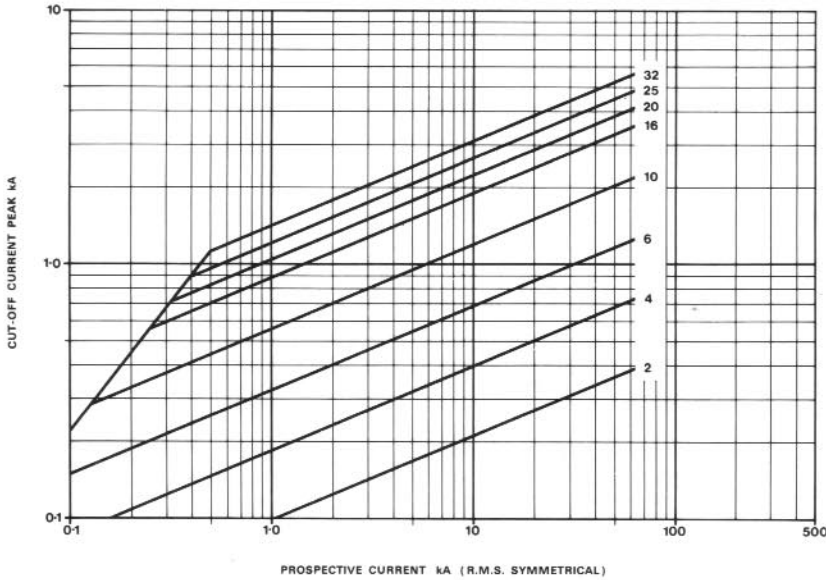
Types TSC, TFC, TLC & A04TLC Time Current Characteristics 35-750 Amp



Characteristics

Type 'T-C' HRC Fuse Links

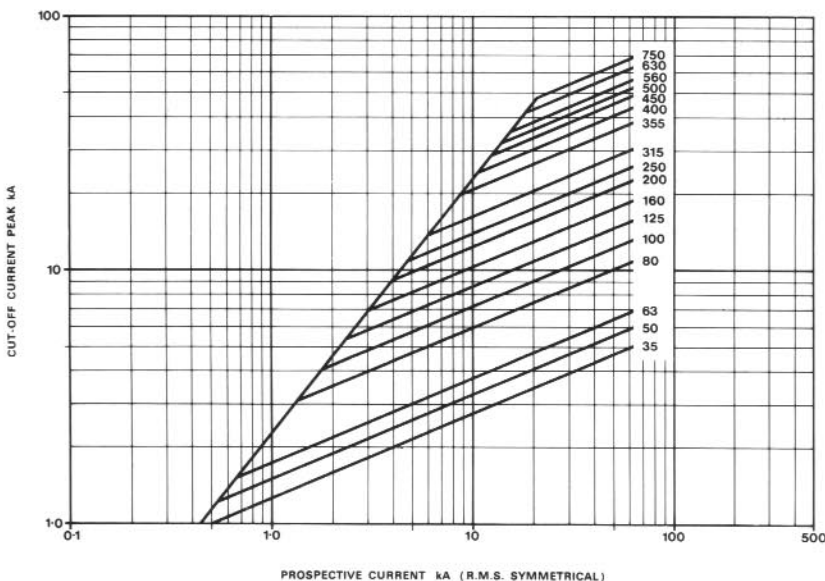
Type TAC Cut-off Current Characteristics 2-32 Amp



Types TAC & TSC I^2t Values 2-63 Amp

Current rating	Pre-arcing I^2t	Total I^2t
Amp	$A^2 \text{ sec} \times 10^3$	$A^2 \text{ sec} \times 10^3$
2	0.001	0.005
4	0.005	0.024
6	0.023	0.106
10	0.117	0.540
16	0.5	2.35
20	0.6	2.8
25	1.1	5.0
32	1.6	7.4
35	0.4	6.5
50	0.9	15.0
63	1.8	24.0

Types TSC, TFC, TLC & A04TLC Cut-off Current Characteristics 35-750 Amp



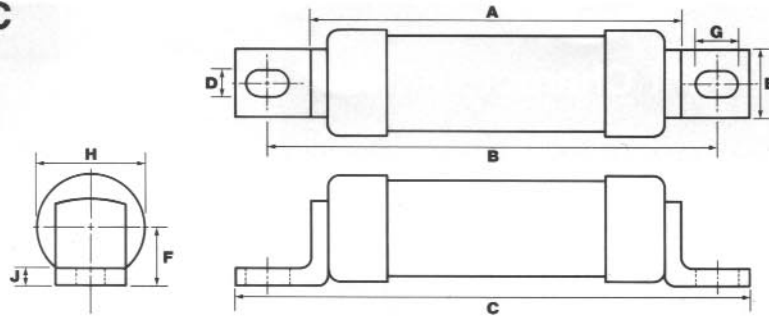
Types TFC, TLC & A04TLC I^2t Values 80-750 Amp

Current rating	Pre-arcing I^2t	Total I^2t
Amp	$A^2 \text{ sec} \times 10^3$	$A^2 \text{ sec} \times 10^3$
80	8.0	95
100	10.0	105
125	24.5	197
160	43.5	284
200	68.3	440
250 (2 x 125)	98.4	790
315 (2 x 160)	174	1136
355 (2 x 200)	350	2400
400	780	4300
450	1300	6600
500	1500	7400
560	1900	9000
630	2400	11000
750 (2 x 400)	3120	17200

Dimensions

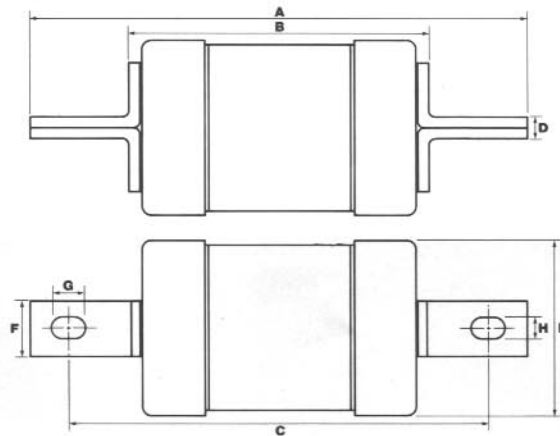
Type 'T-C' HRC Fuse Links

Types TAC, TSC & TFC



Fuse Type	Dimensions in millimetres								
	A	B	C	D	E	F	G	H	J
TAC	106.4	124.0	139.0	5.2	12.7	14.3	7.5	22.2	1.2
TSC	106.4	124.0	139.0	5.2	12.7	14.3	7.5	26.2	1.2
TFC	141.2	168.4	192.0	10.3	25.4	21.7	15.9	40.3	3.2

Type TLC

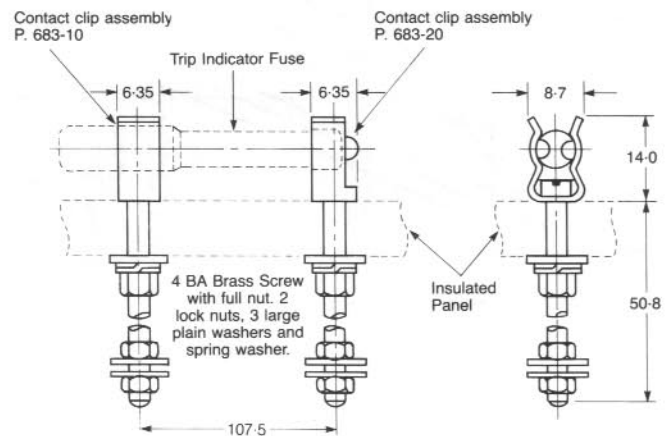


Fuse Type	Dimensions in millimetres							
	A	B	C	D	E	F	G	H
TLC	232	148	196.8	9.5	82.6	25.4	13.5	10.3

Indication of operation

Where indication is required, this can be achieved by the use of a GSL 2000 indicator fuse mounted in parallel with the main fuse. Mounting clips are detailed right.

Dimensions in millimetres



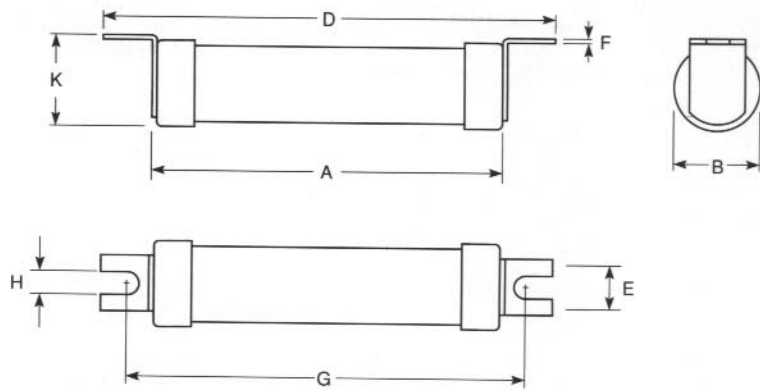
Non-Standard Dimensions

For industrial and general applications, complying with BS 2692 and BS 88. The range has been tested to BS 2692 for breaking capacities of 63kA at 1200 & 1500 volts AC. The range of fuses has been certified to BS 88:Part 1 for 660V DC 50kA and in addition has been tested to a minimum of 750V DC. Characteristics and further details available on request.

Type 'T-C' HRC Fuse Links

Rating Voltage		Rating Current Amp	List number	Fig. No.	
AC	DC				
1200	660	2	A05 TAC 2	1	
		4	A05 TAC 4		
		6	A05 TAC 6		
		10	A05 TAC 10		
		16	A05 TAC 16		
		20	A05 TAC 20		
		25	A05 TAC 25		
		32	A05 TAC 32		
		1	660	35	A05 TSC 35
				50	A05 TSC 50
63	A05 TSC 63				
1500	660	80	A06 TFC 80	2	
		100	A06 TFC 100		
		125	A06 TFC 125		
		160	A06 TFC 160		
		200	A06 TFC 200		
1500	660	80	A10 TFC 80	1	
		100	A10 TFC 100		
		125	A10 TFC 125		
		160	A10 TFC 160		
		200	A10 TFC 200		
1500	660	80	A11 TFC 80	3	
		100	A11 TFC 100		
		125	A11 TFC 125		
		160	A11 TFC 160		
		200	A11 TFC 200		
1500	660	400	A04 TLC 400	4	
		450	A04 TLC 450		
		500	A04 TLC 500		
		560	A04 TLC 560		
		630	A04 TLC 630		

Figure 1



List number	Dimensions in millimetres							
	A	B	D	E	F	G	H	K
A05TAC 2-32	108.25	22.2	140.85	12.7	1.2	125.5	5.2	25.4
A05TSC 35-63	108.25	26.2	140.85	12.7	1.2	125.5	5.2	27.4
A10TFC 80-200	141.2	40.3	230*	25.4	3.2	196.8	11.2	41.45

* Maximum

Dimensions in millimetres

Figure 2

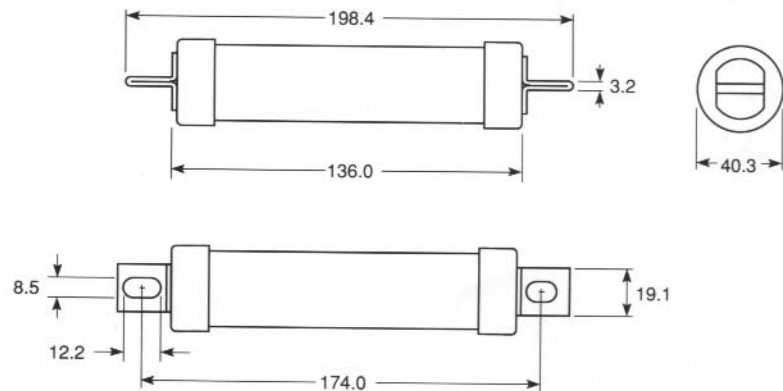


Figure 4

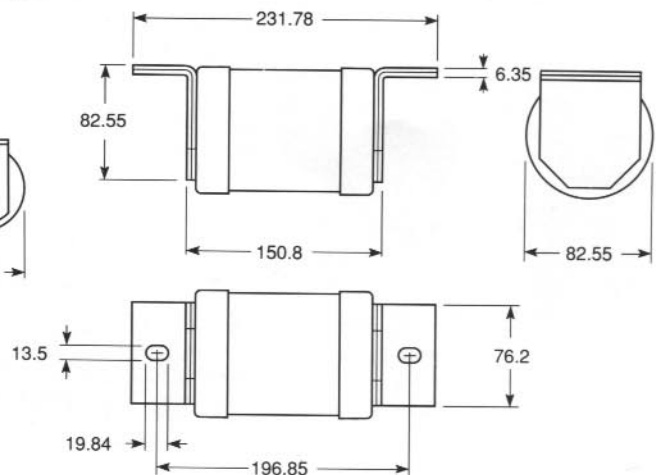


Figure 3

