

Red Spot BS Fuse Holder



Features and Benefits

- Industry standard fuse holder addresses many application needs.
- Fully shrouded for greater safety.
- Most comprehensive range available to meet the majority of applications.
- High resistance body material helps ensure high dielectric strength.
- Extremely reliable contact system for superior electrical conductivity.

Specifications

Agency Information:

BS88 and IEC 60269

Rated Voltage:

690Vac (BS88 and IEC 60269)

Rated Current:

20 to 400A

Terminal Conductor Range:

10 to 240mm²

Maximum Ambient Operating Temperature:

40°C

Protection Index:

IP20

Packaging:

20 to 63A: 10 per pack

100A: 5 per pack

200 and 400A: 1 per pack

Part Numbers

| Fuse Holder Description | Colour | 20A | 32A | 63A | 100A | 200A | 400A |
|------------------------------------|--------|-----------|---------|----------|----------|----------|---------|
| Front Connected | Black | RS20H | RS32H | RS63H | RS100H | RS200H | RS400H |
| | White | RS20HWH | RS32HWH | RS63HWH | RS100HWH | RS200HWH | |
| | Green | RS20HGN | RS32HGN | | | | |
| | Grey | RS20HGY | | | | | |
| Back Stud Connected | Black | RS20P/G | RS32P | RS63P | RS100P | RS200P | RS400P |
| | White | RS20P/GWH | RS32PWH | RS63PWH | RS100PWH | RS200PWH | |
| | Green | RS20P/GGN | RS32PGN | | | | |
| | Grey | RS20P/GGY | | | | | |
| Front / Back Stud Connected | Black | RS20PH/G | RS32PH | RS63PH | RS100PH | RS200PH | RS400PH |
| | White | | | RS63PHWH | | | |
| Back Stud Connected, Flush Mounted | Black | RS20F | | | | | |
| | White | RS20FWH | | | | | |
| | Green | RS20FGN | | | | | |
| | Grey | RS20FGY | | | | | |

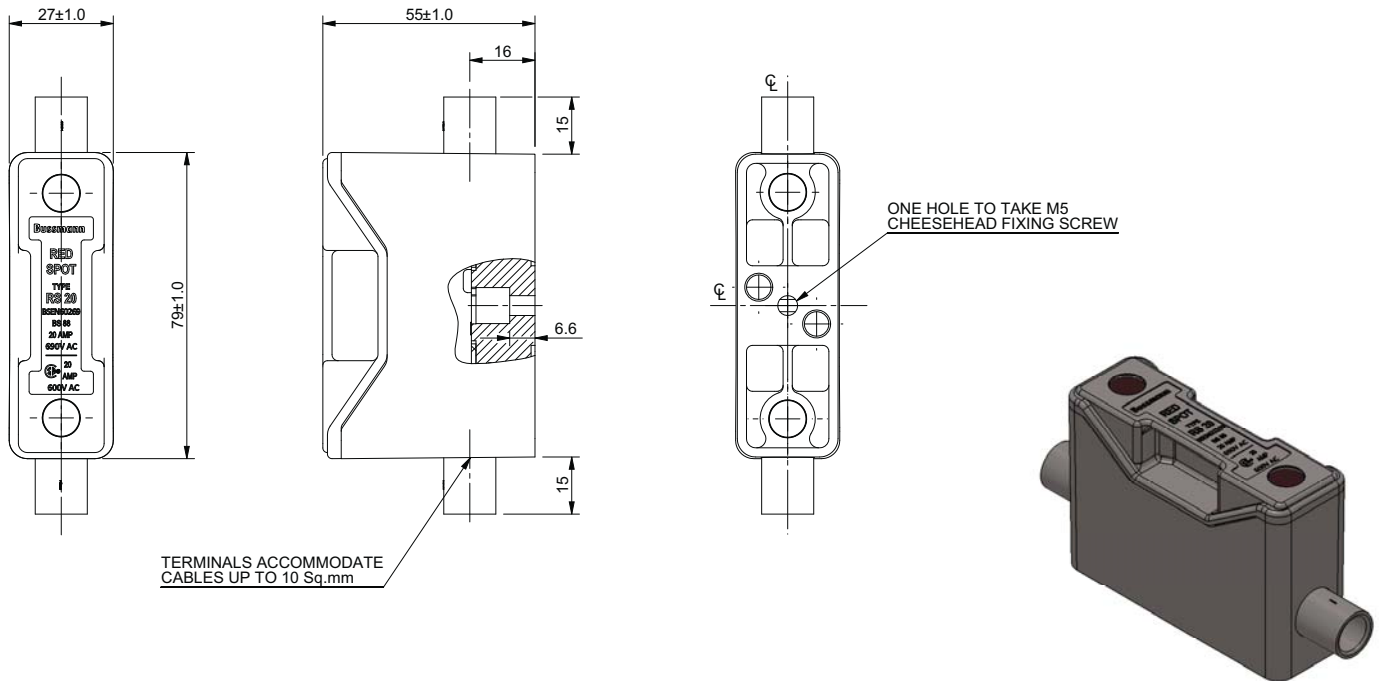
Red Spot BS Fuse Holder

Technical Data

| Rated Current (Amps) | Rated Voltage (Vac) | Agency Markings | Max. Conductor Size | Compatible Fuse Links | Packaging |
|----------------------|---------------------|--------------------|---------------------|-----------------------|-----------|
| 20 | 690 | BS88 and IEC 60269 | 10mm ² | NITD, NIT | 10 |
| 32 | | | 16mm ² | TIA, AAO, H07-660 | 10 |
| 63 | | | 50mm ² | TIS, BAO, K07-660 | 10 |
| 100 | | | 70mm ² | TCP, CEO, L14-660 | 5 |
| 200 | | | 120mm ² | TF, DD, M09-660 | 1 |
| 400 | | | 240mm ² | TM, EF, P11-660 | 1 |

Dimensions - mm

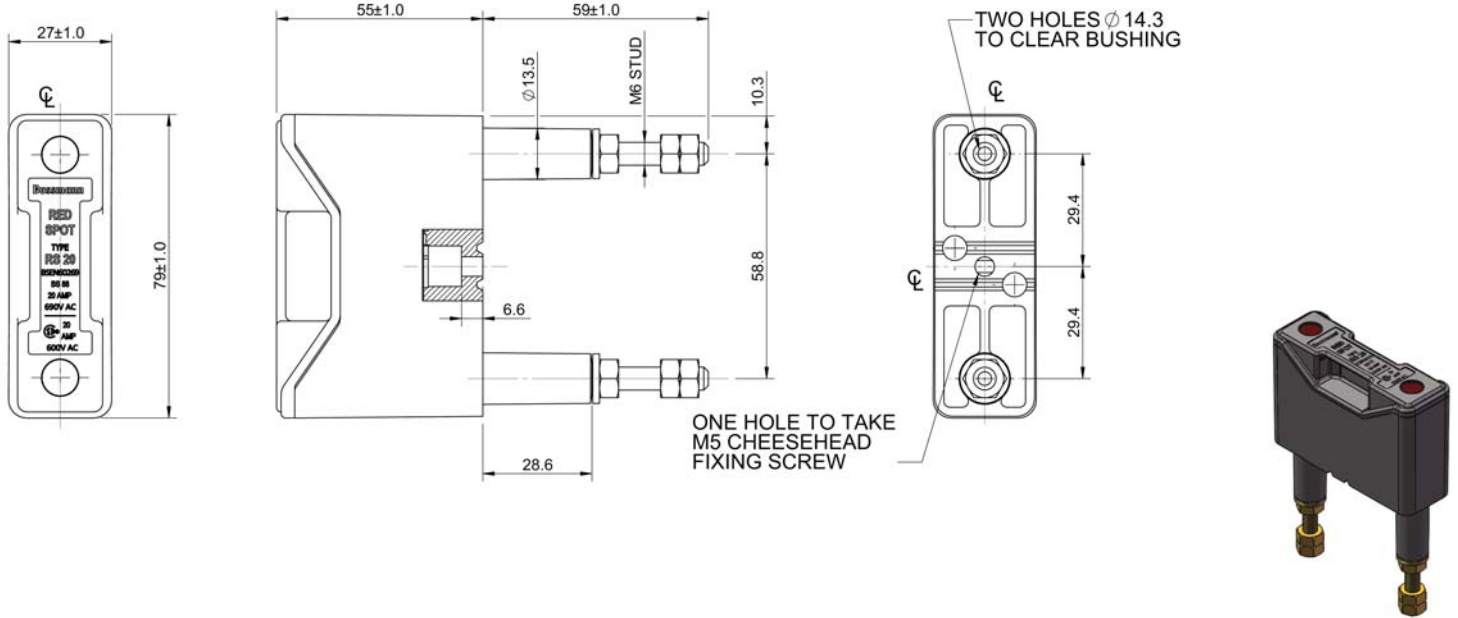
20A, Front Connected



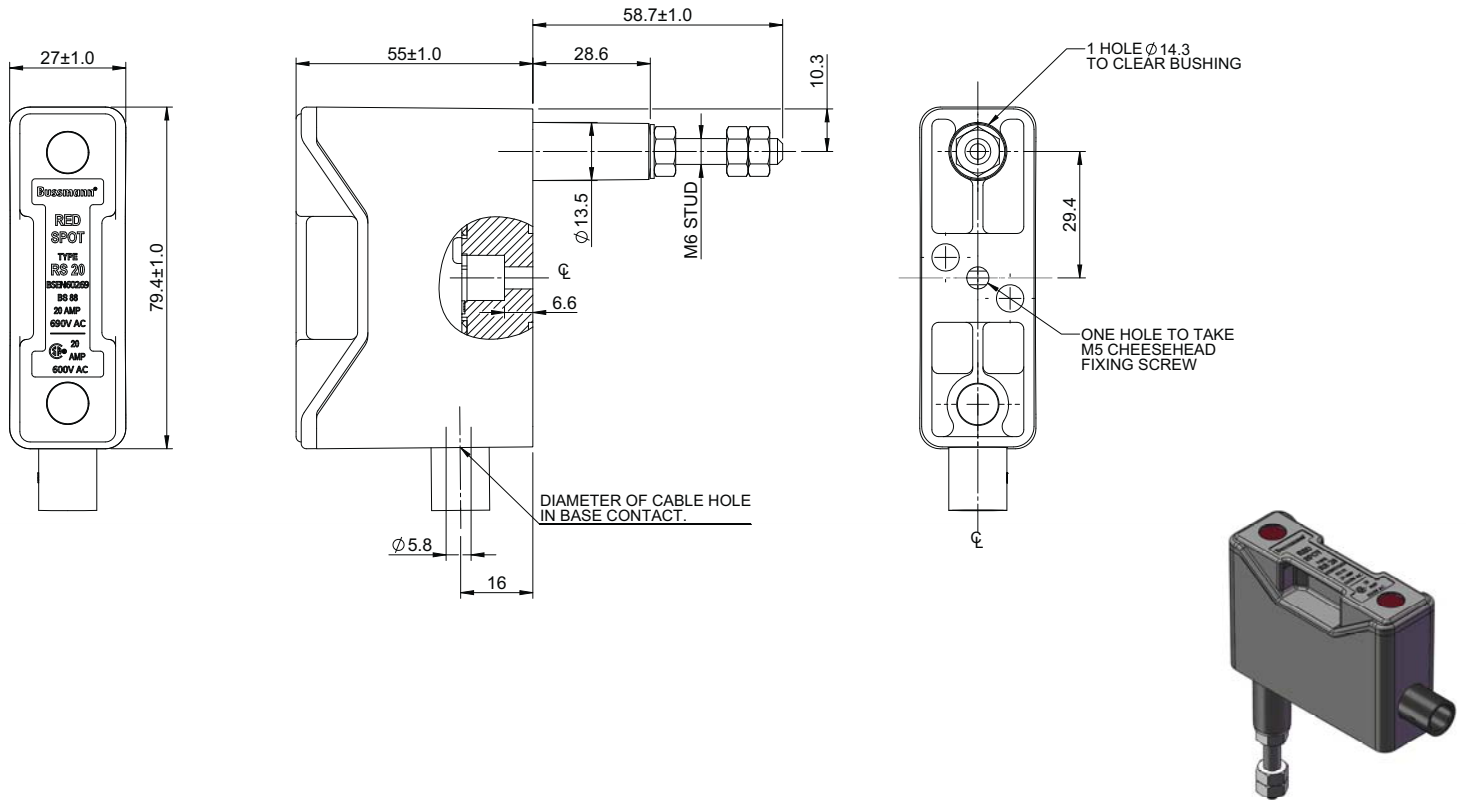
Red Spot BS Fuse Holder

Dimensions - mm

20A, Back Stud Connected



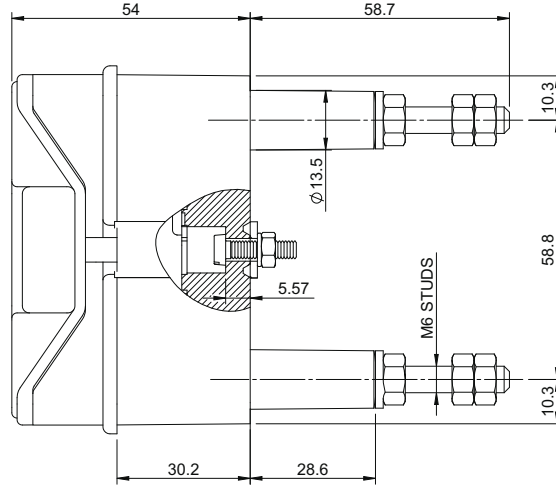
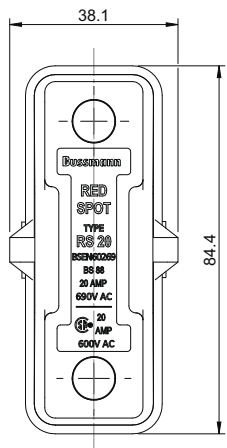
20A, Front / Back Stud Connected



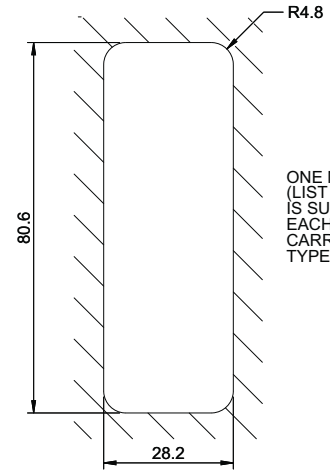
Red Spot BS Fuse Holder

Dimensions - mm

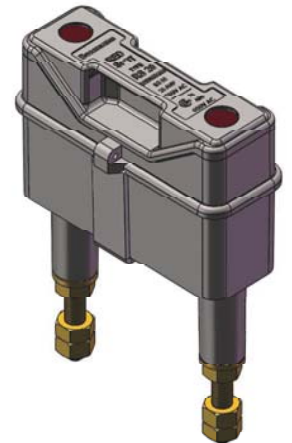
20A, Back Stud Connected - Flush Mounted



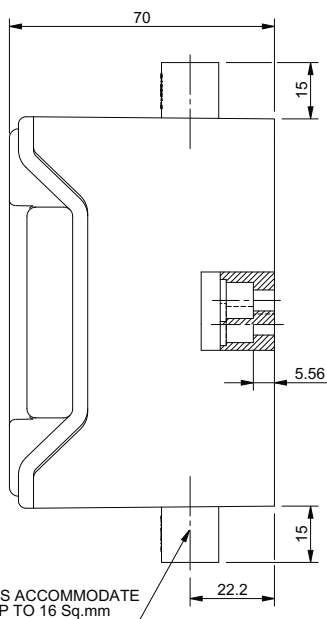
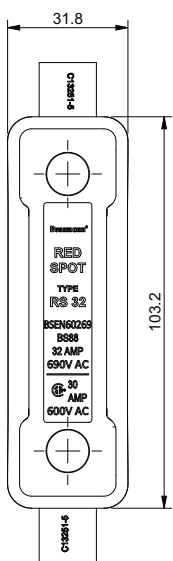
HOLE REQUIRED IN PANEL FOR FLUSH MOUNTING RS20F.



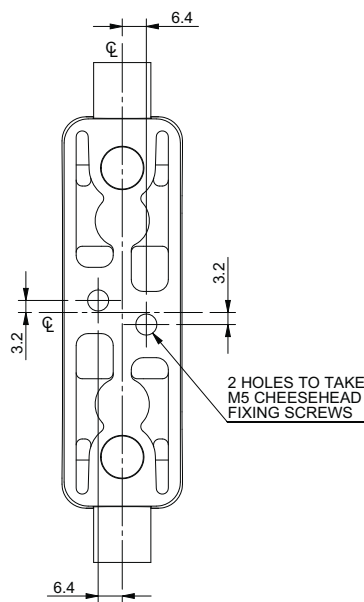
ONE MOULDING CLIP (LIST No. P67/10) IS SUPPLIED WITH EACH FLUSH MOUNTING CARRIER AND BASE TYPE RS20F.



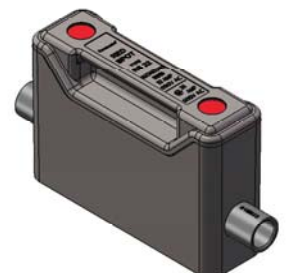
32A, Front Connected



TERMINALS ACCOMMODATE CABLES UP TO 16 Sq.mm



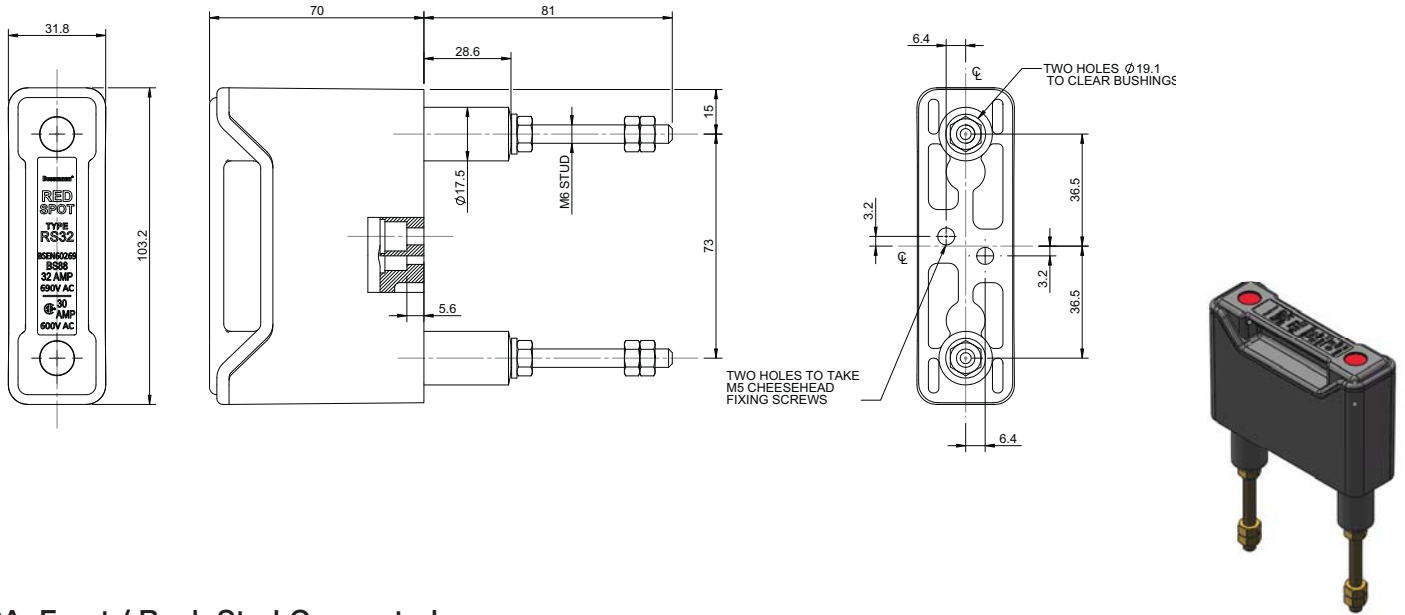
2 HOLES TO TAKE M5 CHEESEHEAD FIXING SCREWS



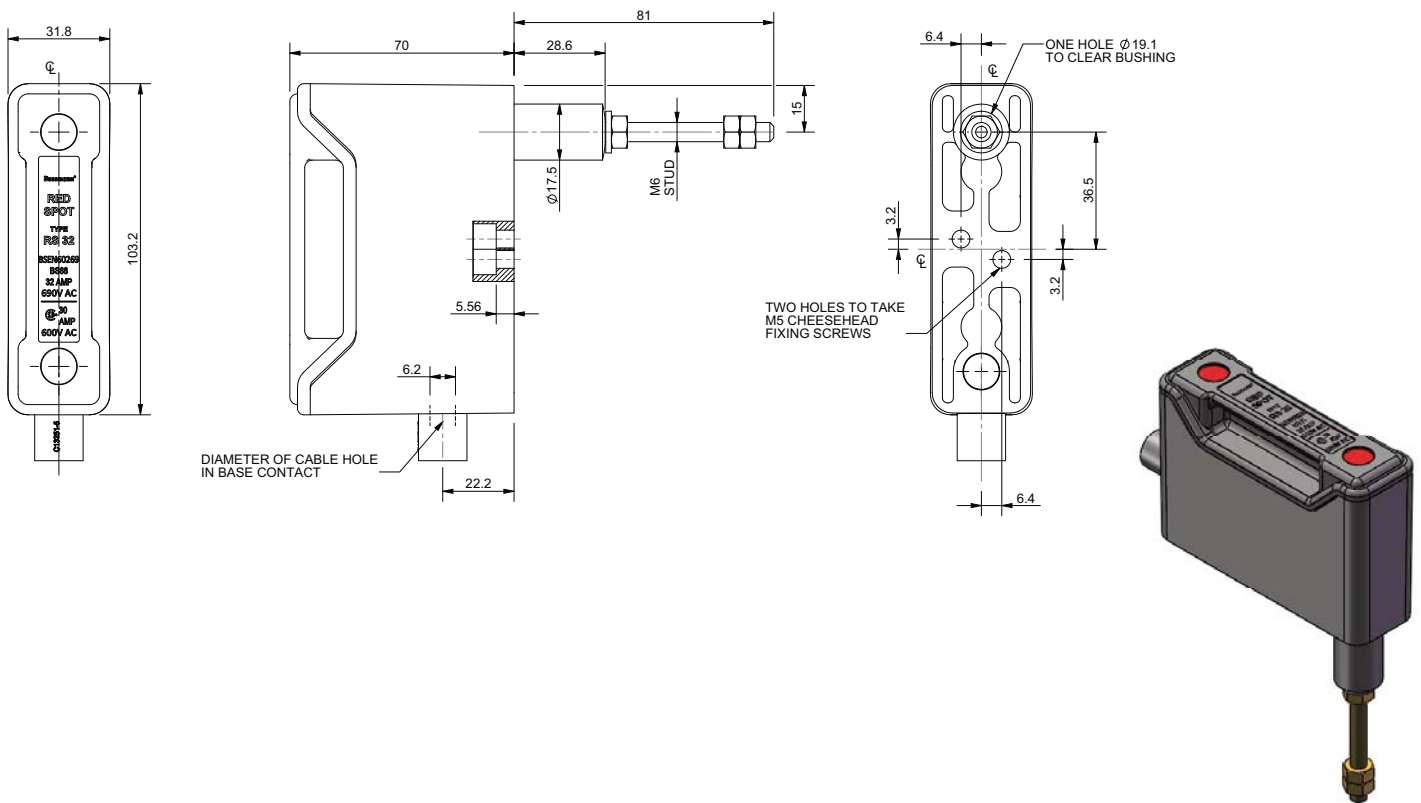
Red Spot BS Fuse Holder

Dimensions - mm

32A, Back Stud Connected



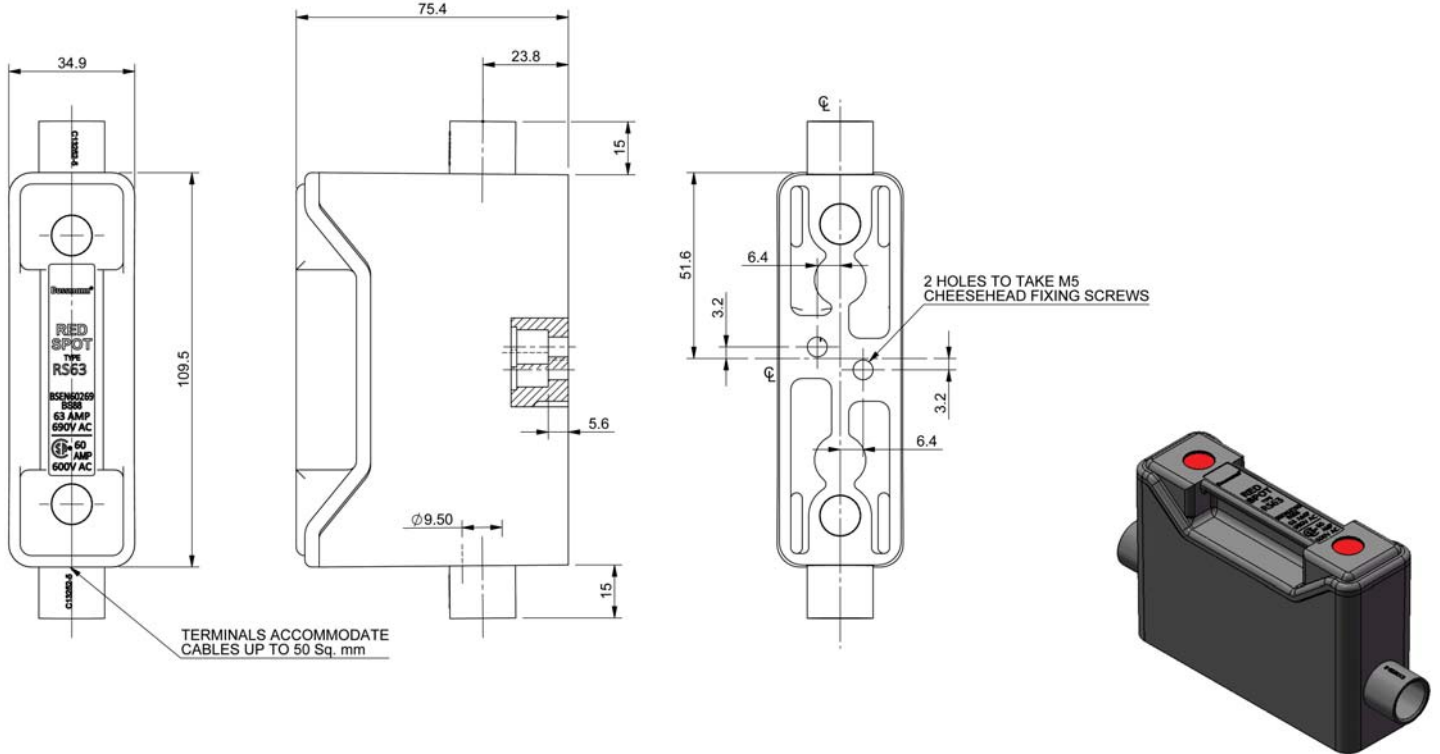
32A, Front / Back Stud Connected



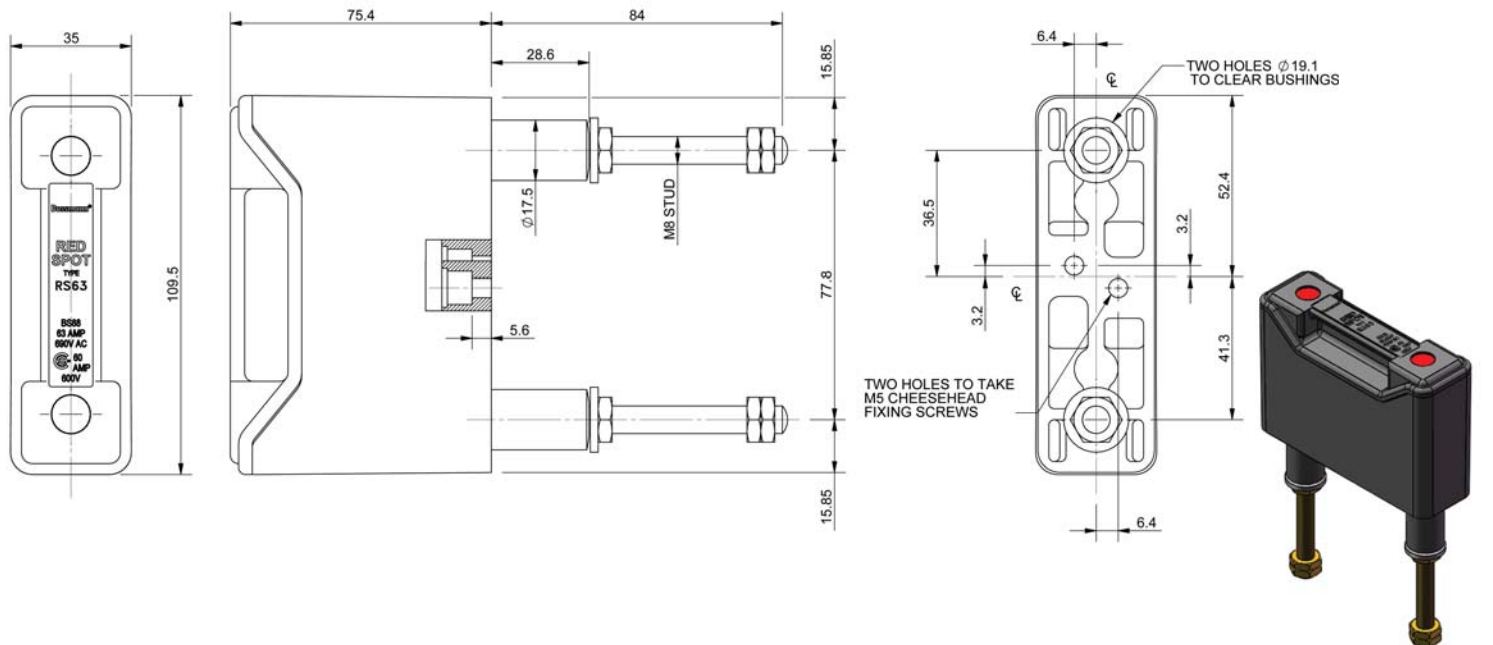
Red Spot BS Fuse Holder

Dimensions - mm

63A, Front Connected



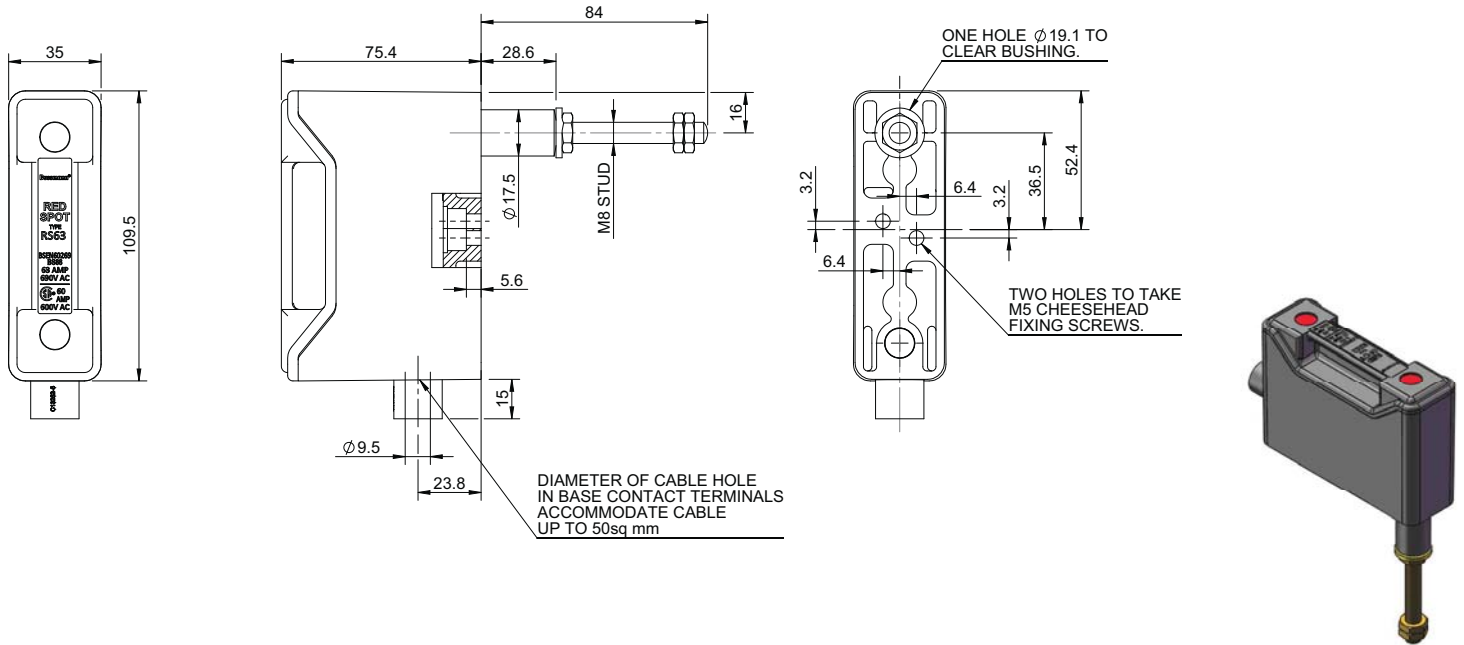
63A, Back Stud Connected



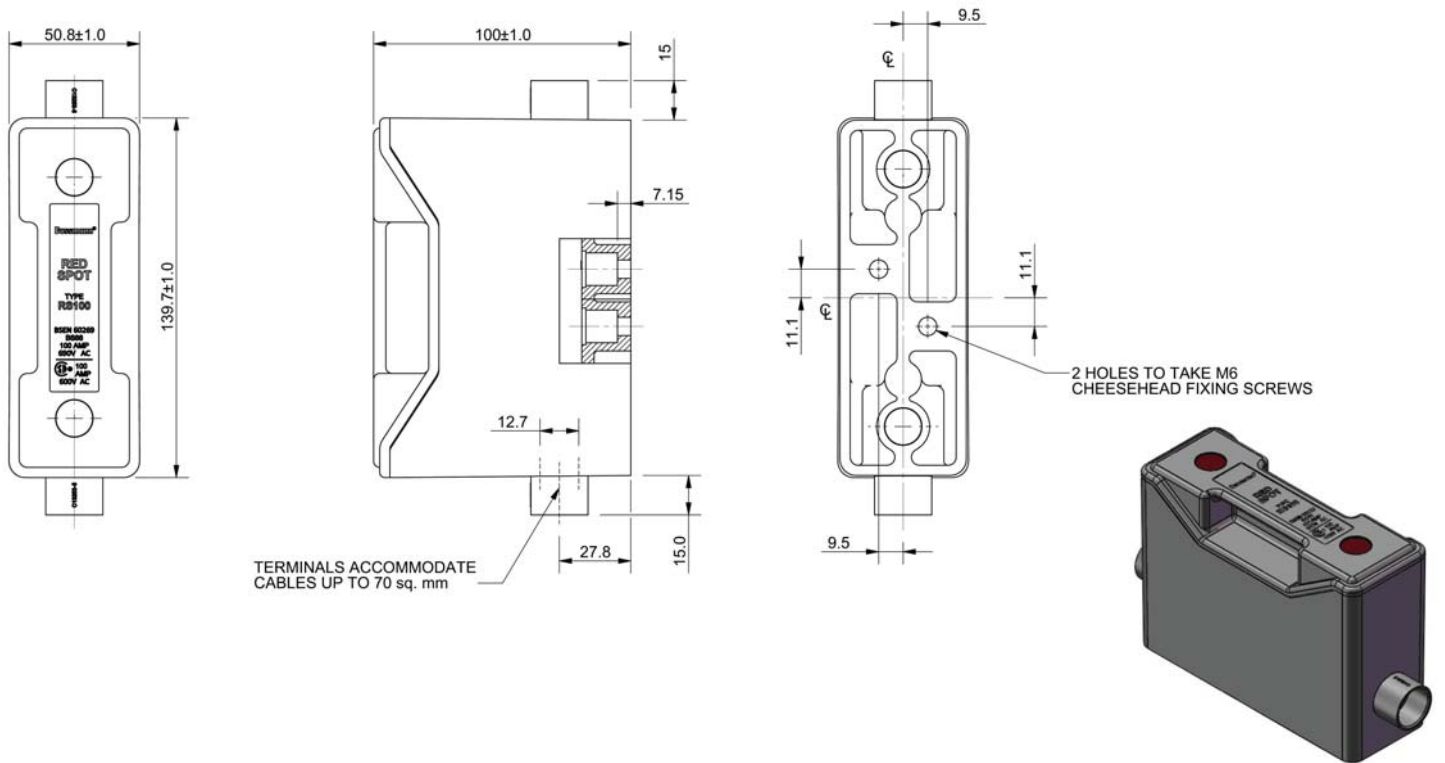
Red Spot BS Fuse Holder

Dimensions (mm)

63A, Front / Back Stud Connected



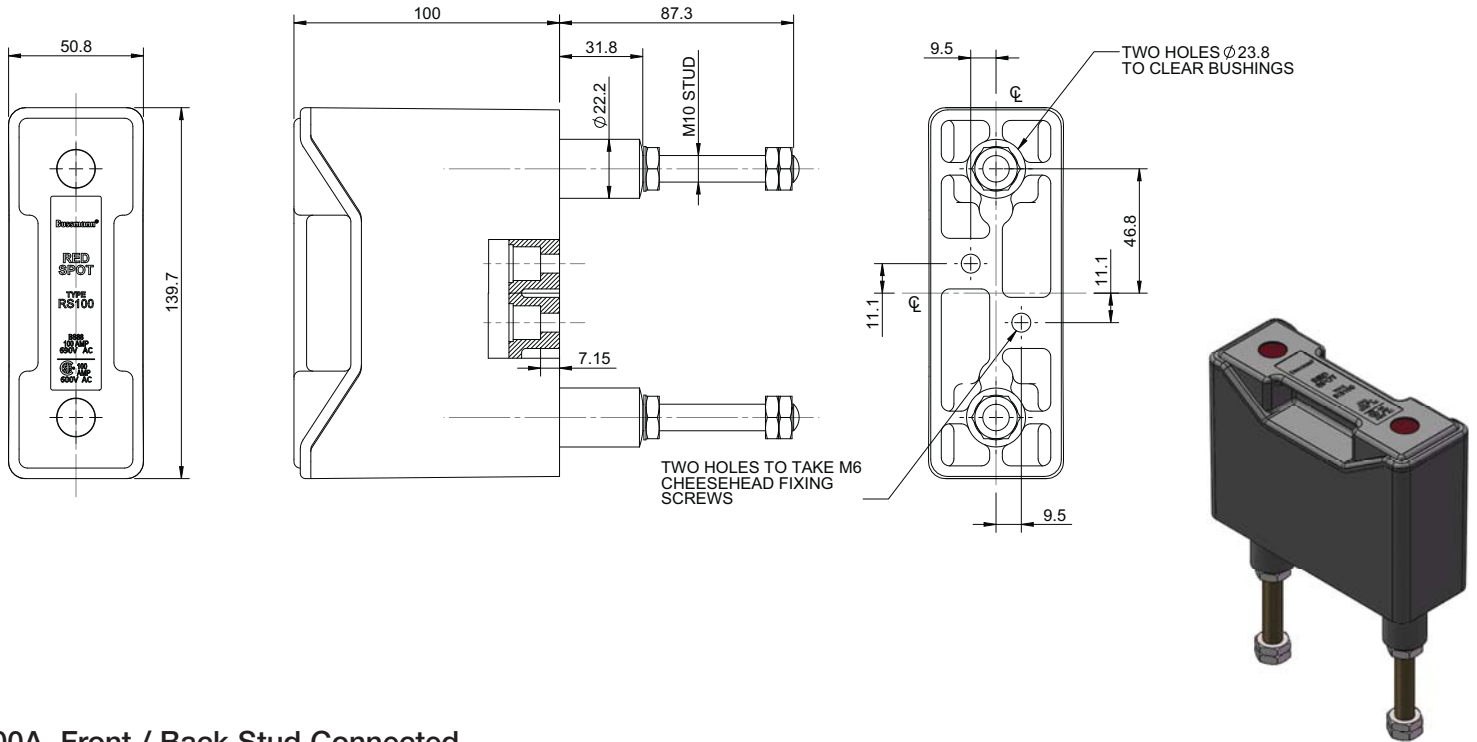
100A, Front Connected



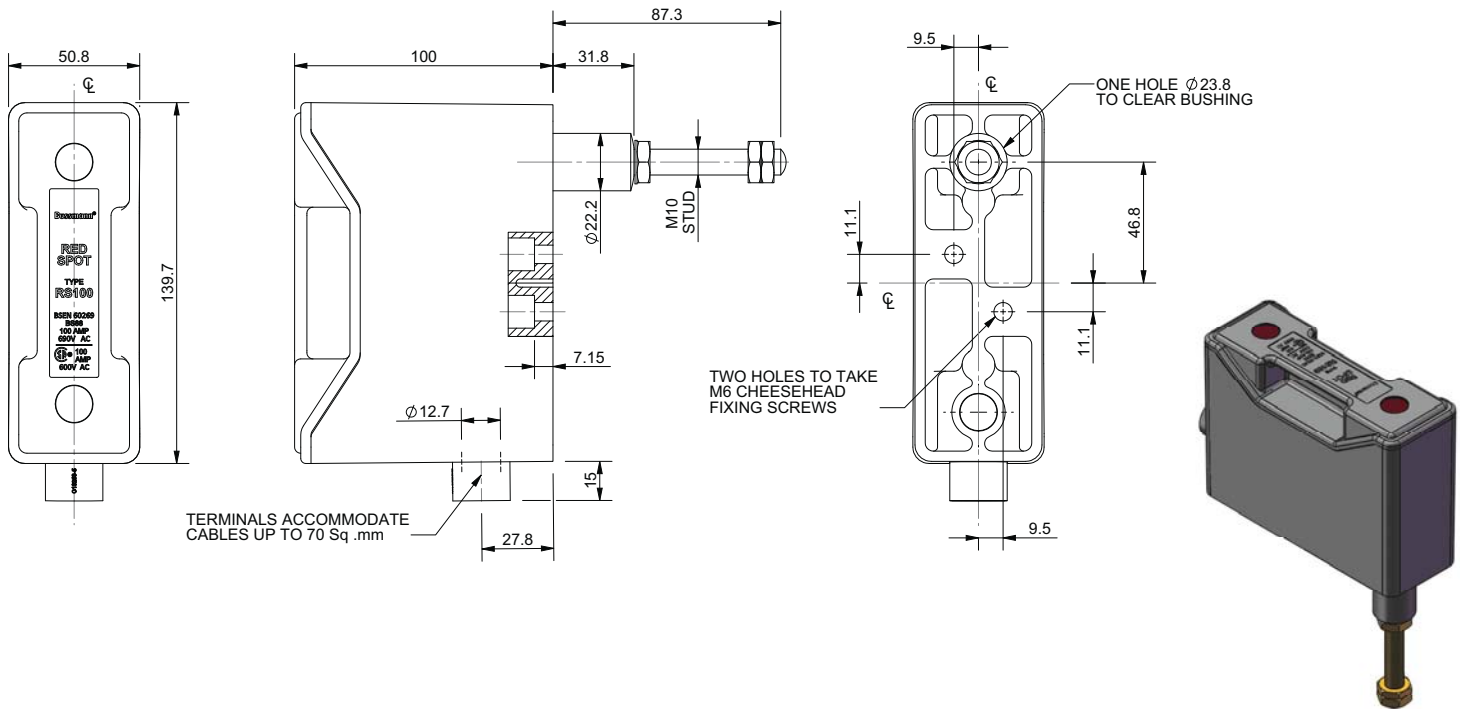
Red Spot BS Fuse Holder

Dimensions - mm

100A, Back Stud Connected



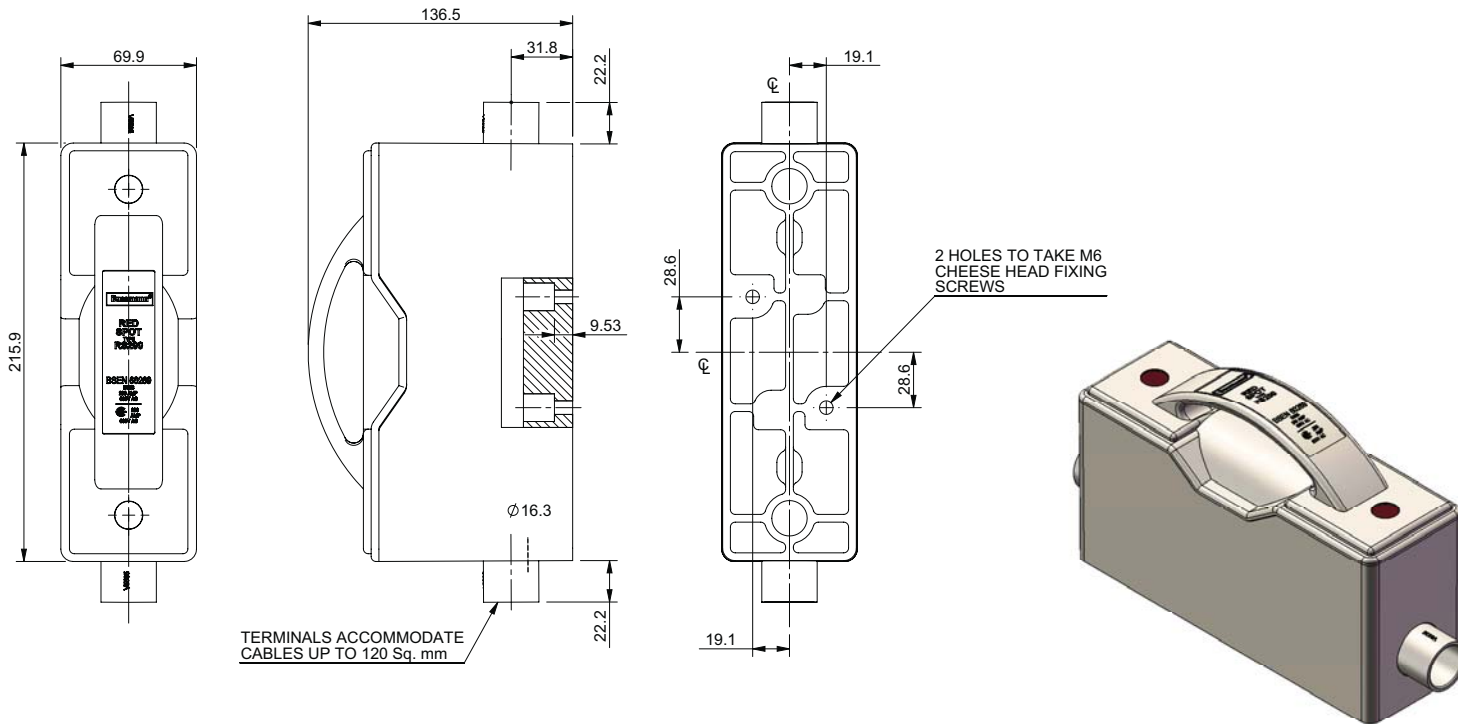
100A, Front / Back Stud Connected



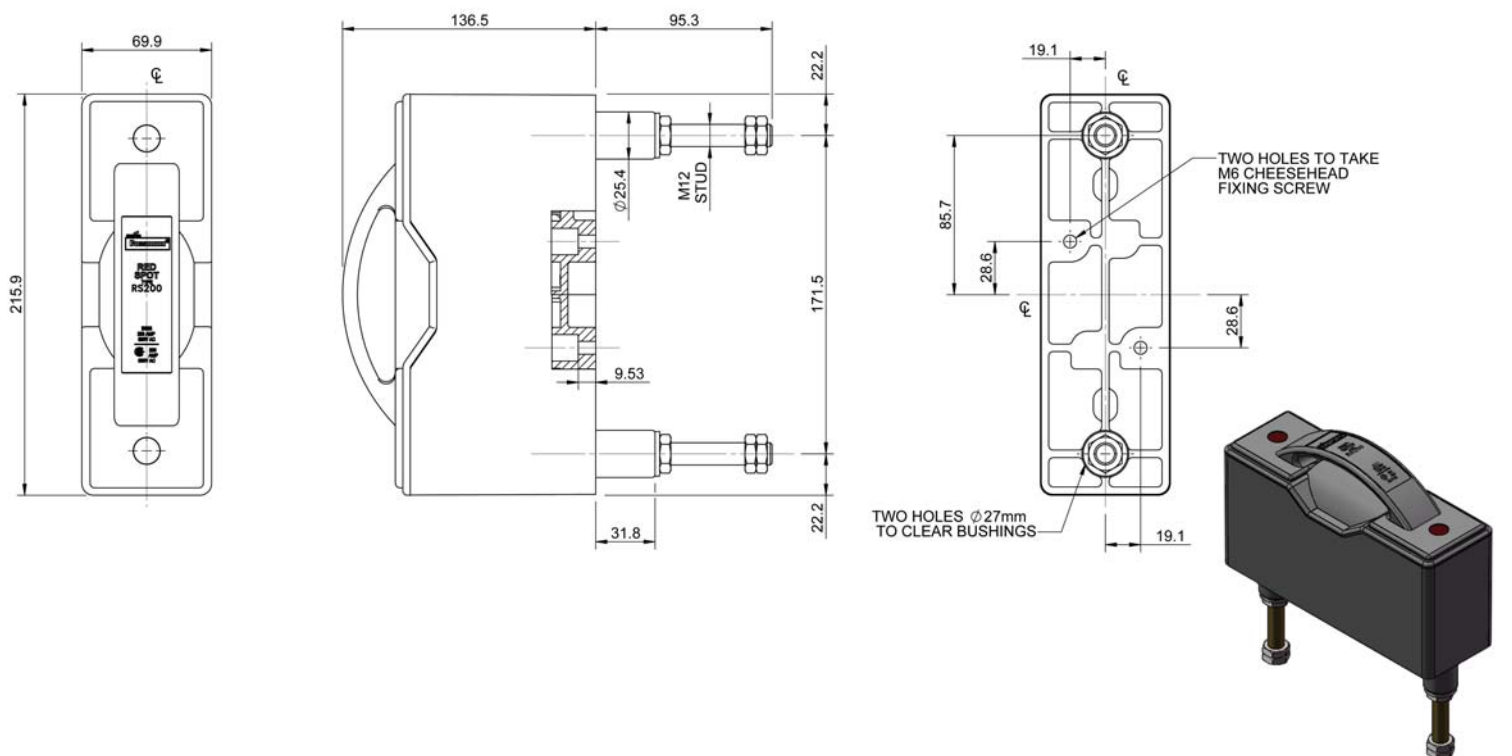
Red Spot BS Fuse Holder

Dimensions (mm)

200A, Front Connected



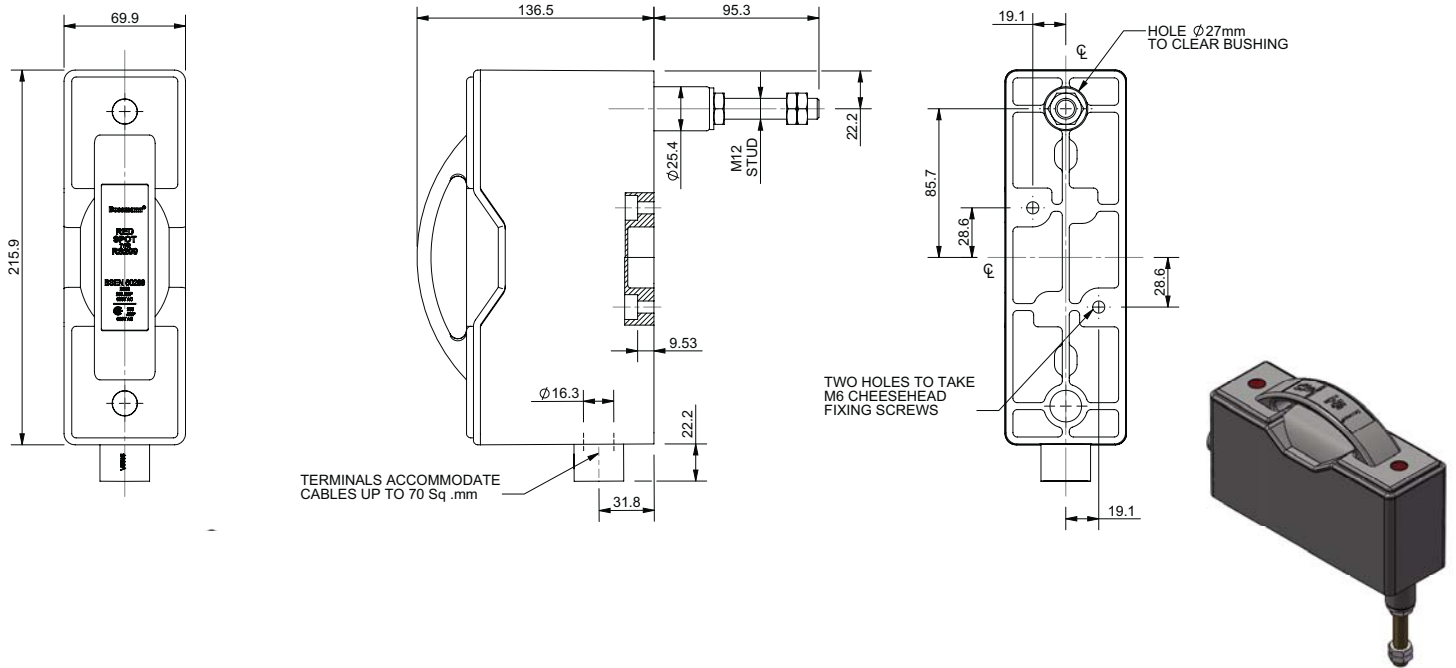
200A, Back Stud Connected



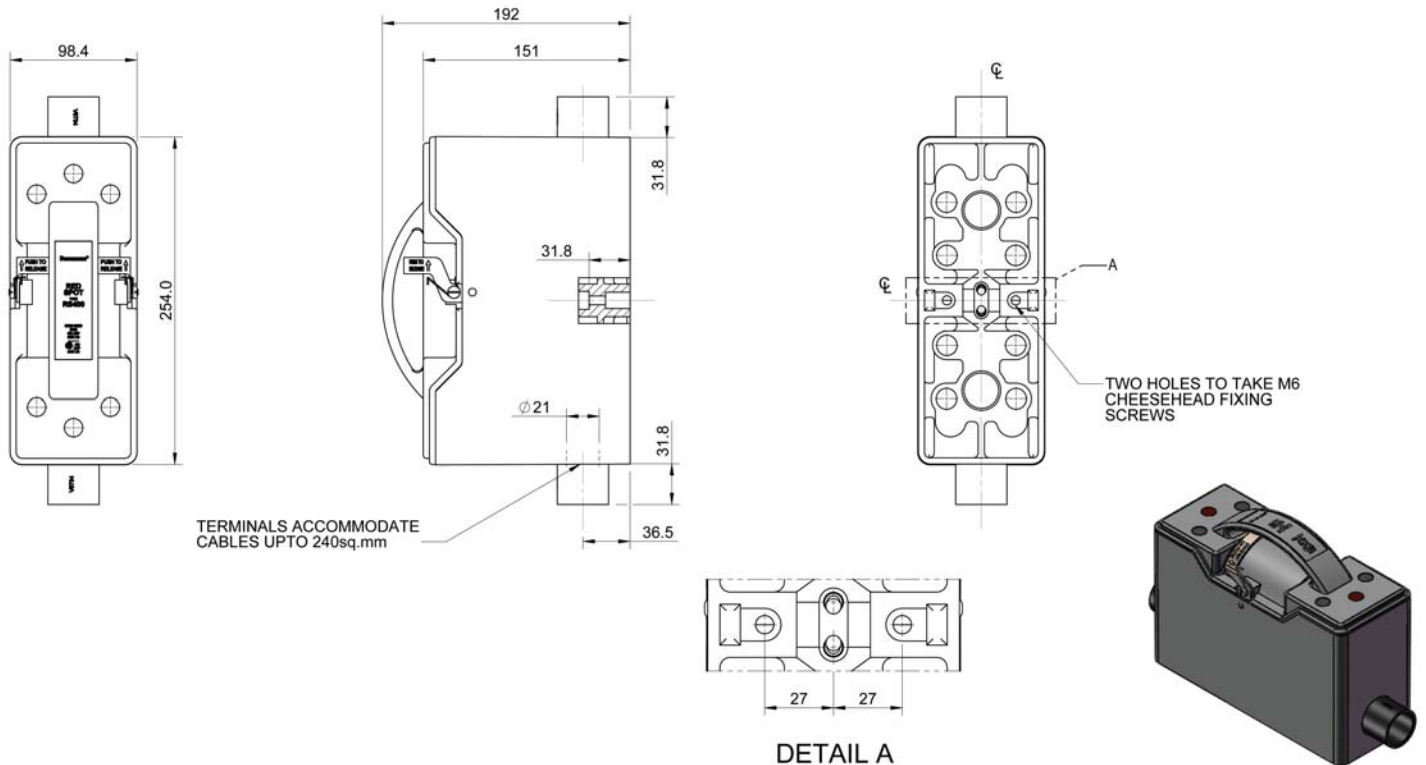
Red Spot BS Fuse Holder

Dimensions (mm)

200A, Front / Back Stud Connected



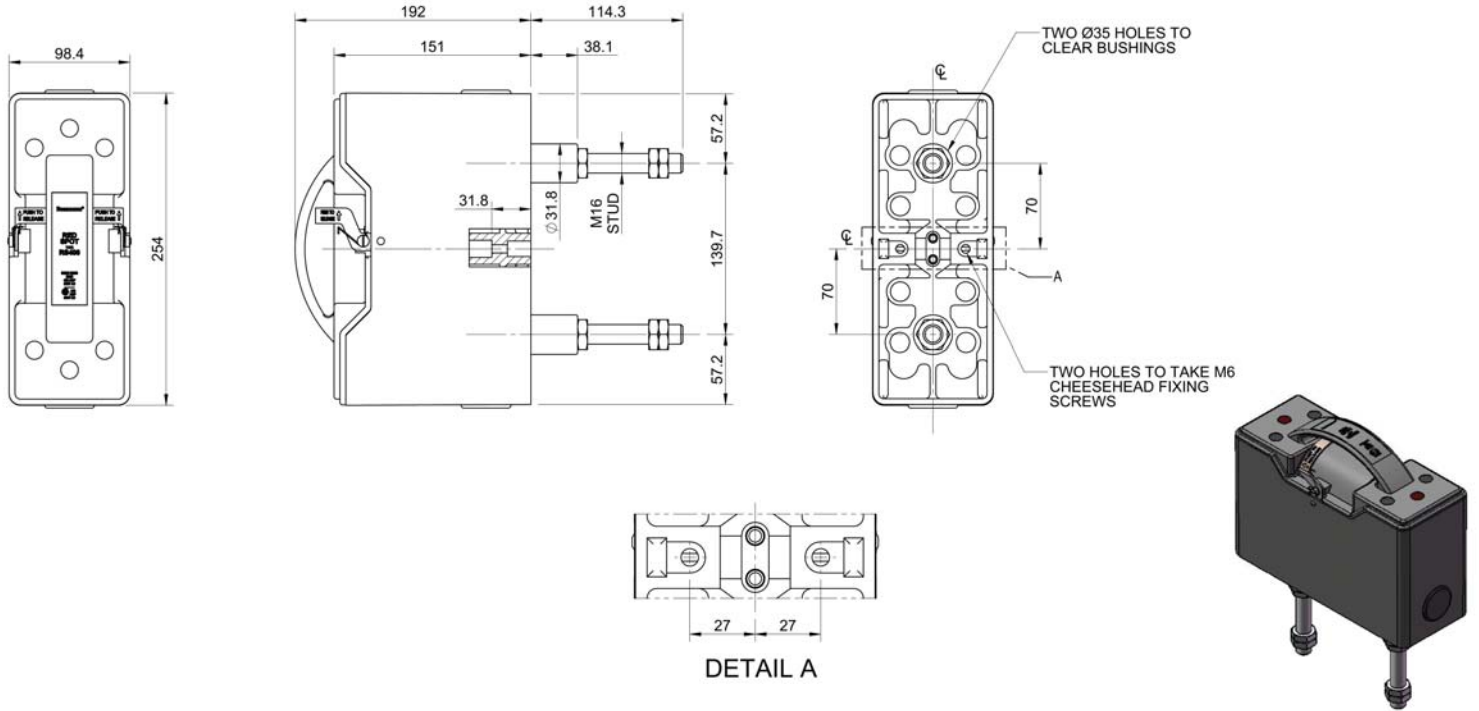
400A, Front Connected



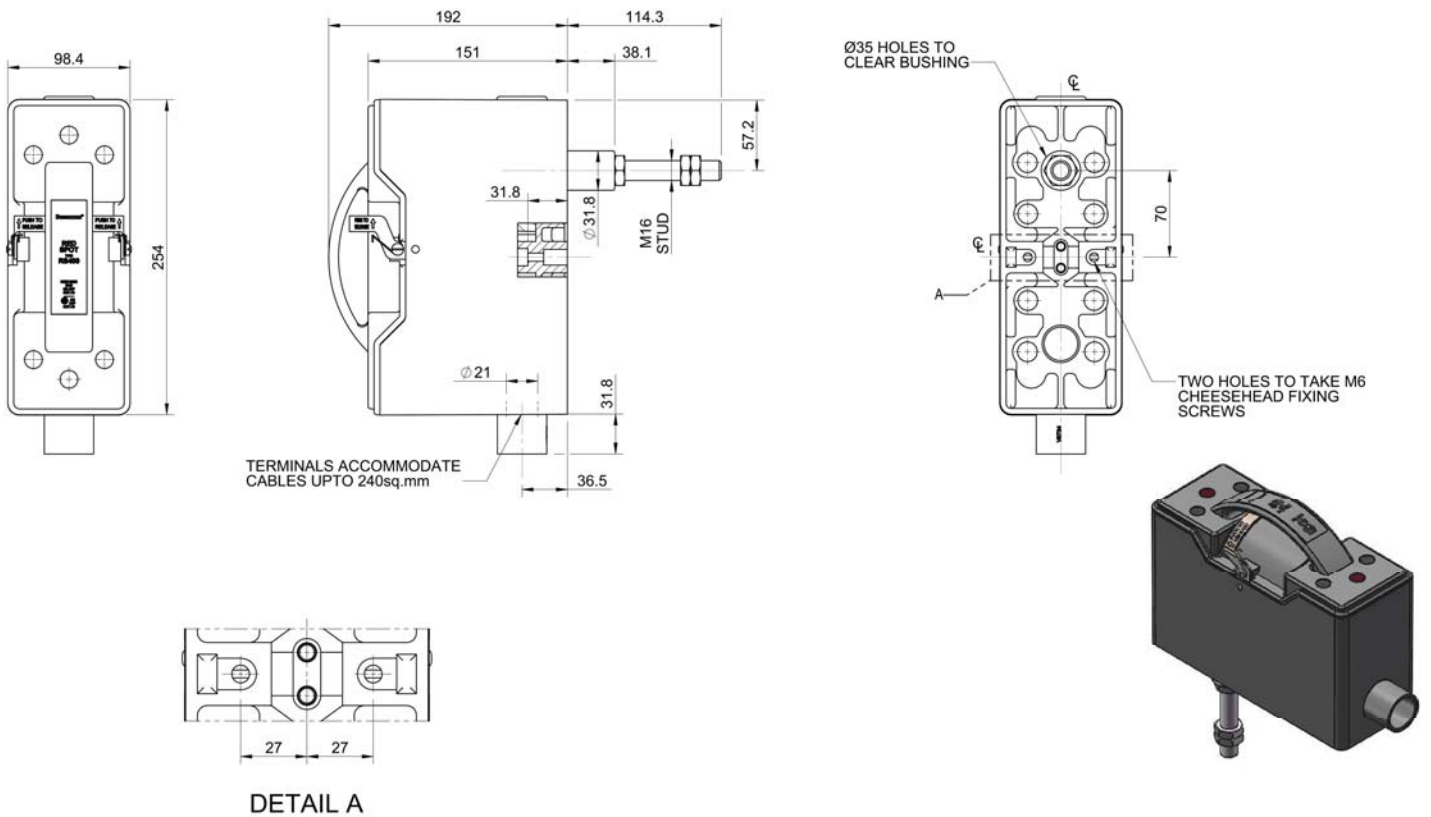
Red Spot BS Fuse Holder

Dimensions - mm

400A, Back Stud Connected



400A, Front / Back Stud Connected



Red Spot BS Fuse Holder

Accessories

| Type | Part Number | To be used with Fuse Link Type | To be used with Fuse Holders |
|---------------------------------|-------------|--------------------------------------|------------------------------|
| Padlockable Inserts | RS20LOCK | N/A | RS20 |
| | RS32LOCK | N/A | RS32 |
| | RS63LOCK | N/A | RS63 |
| | RS100LOCK | N/A | RS100 |
| Red Warning Carriers | RS20RED | N/A | RS20 |
| | RS32RED | N/A | RS32 |
| | RS63RED | N/A | RS63 |
| | RS100RED | N/A | RS100 |
| Fuse Link Adaptor Kits* | P5372-10 | TIA, TIS, AAO, BAO | RS100 |
| | TCA2 | AD, BD, CD, DD, TBC, TC, TF | RS400 |
| Adaptor Kits for GS Fuse Links* | GRS32-A | GSA 5 to 20A | RS32 |
| | GRS63-A | GSA 25 to 50A | RS63 |
| | GRS100-B | GSA 5 to 20A | RS100 |
| | GRS100-A-B | GSA75, GSB 25 to 50A, GSGB 16 to 45A | RS100 |

* One adaptor kit required per fuse link.